

Pentana Solutions

# SD-WAN

A reliable network that is flexible to changing business needs

- ✓ Reduce Cost
- ✓ Improve Network Performance
- ✓ Seamless Connection

[pentanasolutions.com](http://pentanasolutions.com)

**pentana**  
SOLUTIONS

**pentana**  
CLOUD

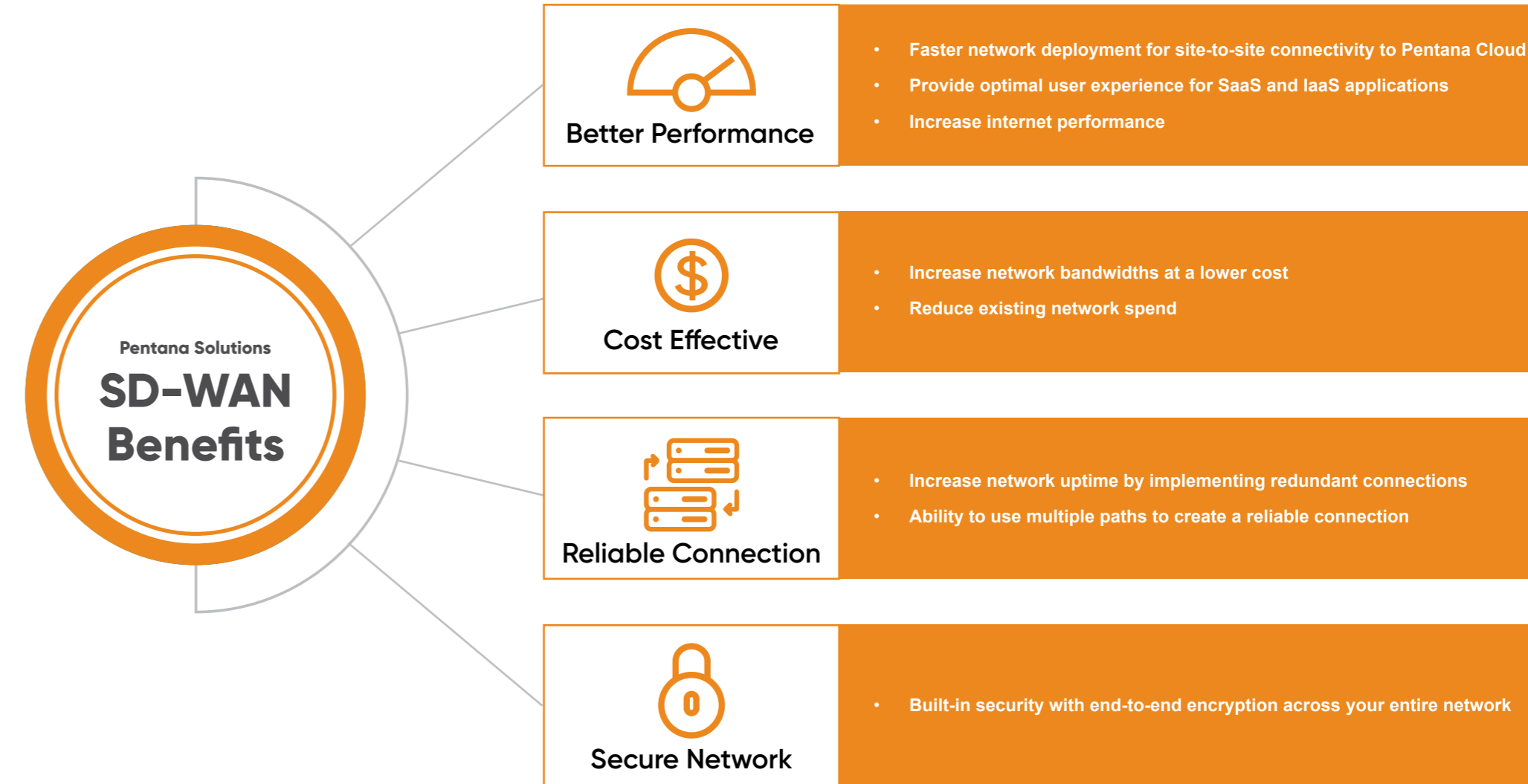
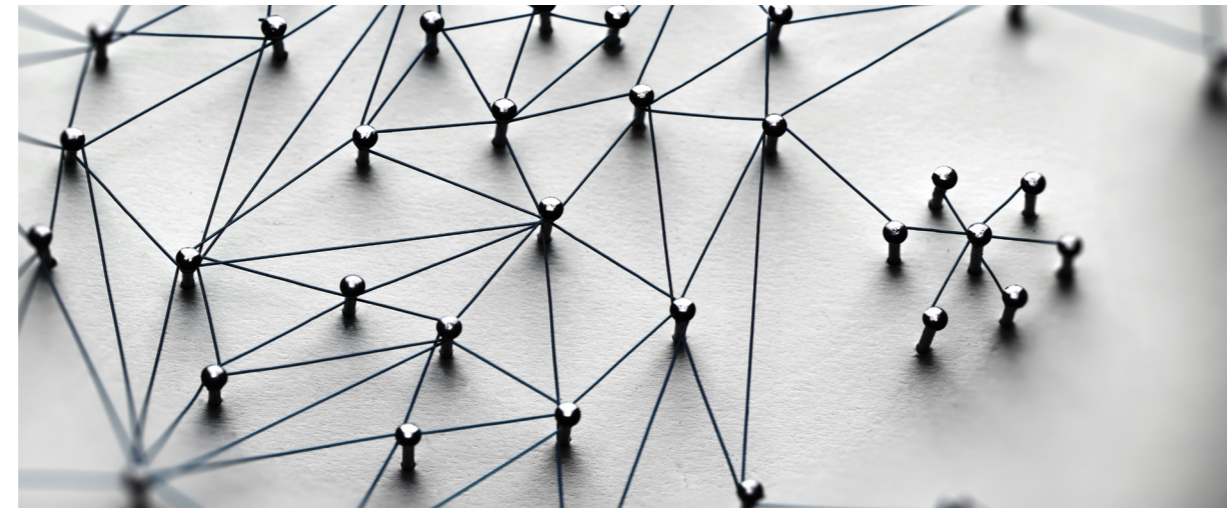
# Pentana Solutions SD-WAN

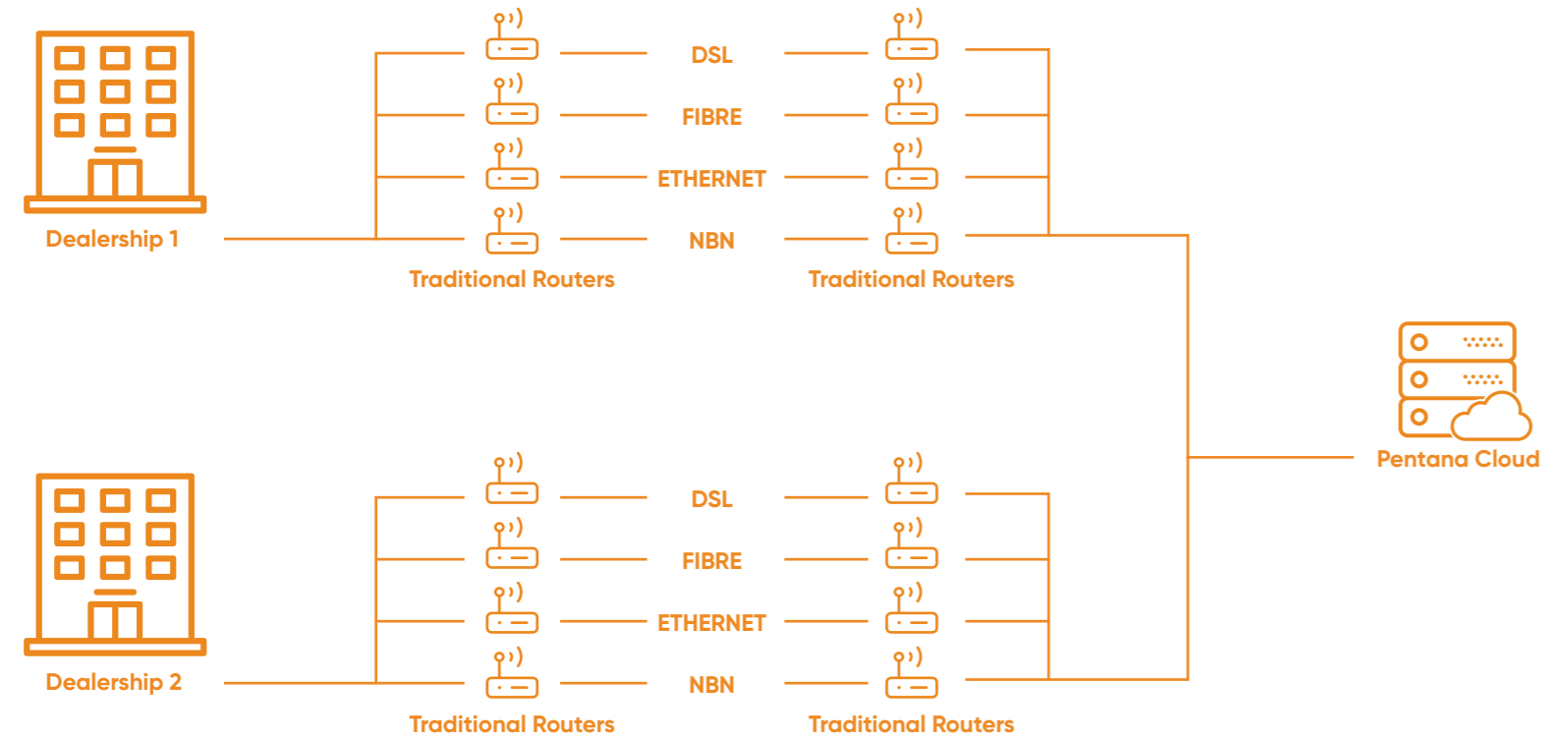
The Pentana Software-Defined Wide Area Network (SD-WAN) architecture uses a combination of hardware, software and cloud-based technologies to simplify the way networks are designed, deployed and managed. Seamlessly connected to Pentana Cloud, SD-WAN provides network services to different dealership sites. Typically, SD-WAN devices can be installed without the need to eliminate existing network equipment, making the transition to SD-WAN easy and quick.

## Simple. Secure. Reliable.

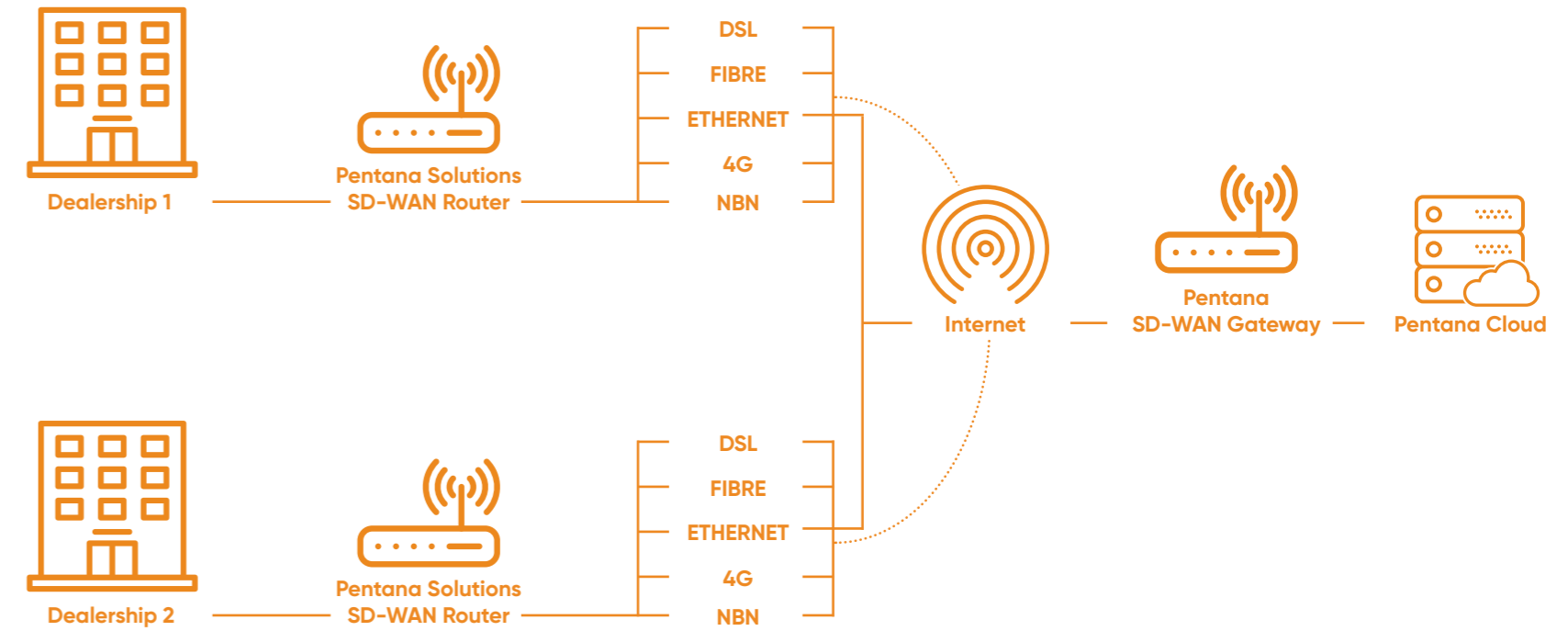
Pentana Solutions SD-WAN allows you to share applications and devices across multiple dealership sites without the complexity.

Downtime within a dealership can be a massive deal breaker, therefore a secure and reliable network is imperative in ensuring your applications and systems are running smoothly.






# Traditional WAN



# SD-WAN

 Pentana Cloud Connectivity  
 Site to Site Connectivity  
 Connectivity

**1 | How does SD-WAN work?**

Traditional WAN requires multiple routers / network providers to connect with each other from site-to-site. SD-WAN is the next generation of WAN technology that uses a centralised control function to securely and intelligently direct traffic via the most efficient route for best user experience, maximising your bandwidth investment.

**2 | Do I need to change network providers?**

No, you don't. SD-WAN can complement your current setup by enhancing your connectivity. It provides a larger pool of connectivity options whilst building redundancy for single and/or multi-site businesses.

**3 | What is network redundancy?**

Network redundancy is a process which additional or alternate instances of network devices, equipment and communication mediums are installed within network infrastructure. It is a method for ensuring network availability in case of a network device or path failure and unavailability.

**4 | What provides network link redundancy?**

Ethernet link redundancy enables you to protect against physical link failure for network topology changes that redirect network traffic to redundant ports.

**5 | Why should I switch to Pentana Solutions SD-WAN?**

Pentana Solutions SD-WAN's software-centric approach optimises IT cost, leveraging the benefits of cloud to allow connectivity to Pentana Cloud from each location using the internet. By doing so, it removes the need for expensive dedicated data lines, removes single point of failures and provides redundancy via diverse paths.

**6 | Is Pentana Solutions SD-WAN a replacement for MPLS?**

Yes it is. In fact , SD-WAN's unique technology is forecasted to reduce the need for MPLS networks over the next 4-5 years and will become the leading technology for WAN. Unlike MPLS, SD-WAN comes with no bandwidth penalties.

**7 | Why choose Pentana Solutions SD-WAN over other SD-WAN solution providers?**

Other providers of SD-WAN are not able to easily and securely connect to Pentana Solutions' cloud services. This removes the simplicity of having Pentana Cloud connectivity direct from each location and will require a private line installed to enable this connectivity.

**8 | Will Pentana Solutions SD-WAN save my dealership money?**

Being able to use the internet to connect gives you the ability to select an internet provider that is within your budget. In most cases, NBN comes at a greatly reduced price compared to Private Data lines.

**9 | What are some features and benefits of Pentana Solutions SD-WAN?**

Pentana Solutions SD-WAN provides a cost-effective, cloud-based internet access that supports modern bandwidth-intense applications like VoIP, video conferencing and online collaborating tools. It is less complex, more flexible and easier to manage.

**10 | How long does it take to install Pentana Solutions' SD-WAN at dealerships?**

We have experts within Pentana Solutions that are able to deploy this in less than 10 working days, in comparison to standard 42-56 days for traditional MPLS networks. Once installation starts onsite, it should only take 30-60 minutes to have the connection to Pentana Cloud completed. Deployment times may vary greatly depending on the complexity of the design, third party network infrastructure and reliance, as well as, specific dealership requirements.

**Acronym Definitions**

- DSL: Digital Subscriber Line
- IaaS: Infrastructure as a Service
- LAN: Local Area Network
- MPLS: Multiprotocol Label Switching
- NBN: National Broadband Network
- SaaS: Software as a Service
- VoIP: Voice over Internet Protocol
- WAN: Wide Area Network
- SD-WAN: Software Defined Wide Area Network

**11 | Does the Pentana Solutions SD-WAN solution support multi dealer sites?**

Absolutely, the functionality of using the internet to connect all sites together in a secure environment is one of the many key features SD-WAN provides. With businesses often adding new sites and/or closing sites, each of these changes requires a physical reinstall of onsite hardware or the contracting of another new network provider. Using cloud-based software, SD-WAN can integrate with any existing connection (broadband, fibre or wireless) and abstract each connection between each of your sites.

**12 | Is Pentana Solutions SD-WAN suitable for small dealerships?**

Small and medium-sized businesses can make the most of the SD-WAN technology with the networking and cost benefits it provides. Pentana Solutions SD-WAN provides secure connectivity to Pentana Cloud with the ability to scale with the business size.

**13 | How do I know if SD-WAN solution can support my dealerships?**

Regardless of where you are in your journey, Pentana Solutions offers a full lifecycle of cloud and network services to support your transition. Our experts will create a roadmap for success that maximises network performance, security, uptime and efficiency.

**14 | Where can I find more information on Pentana Solutions SD-WAN?**

For more information about Pentana Solutions SD-WAN, visit: [www.pentanasolutions.com/services/view/pentana-cloud](http://www.pentanasolutions.com/services/view/pentana-cloud)

**Do you know Pentana Solutions also offers a range of other cloud and network services?**



**AUTHENTICATION SERVICES**



**CLOUD HOSTING**



**NBN™**



**OFFICE 365**



**SD-WAN**

**Want an SD-WAN demonstration or discuss your network options?**

**Speak to one of our experts today >**



1300 007 925



info@pentanasolutions.com